

## PALISADE FENCING SYSTEM



### SPECIFICATIONS

**HEIGHTS:** 1200mm , 1500mm, 1800mm, 2000mm, 2100mm, 2400mm and 3000mm

**POST:** RSJ - size according to fence height.

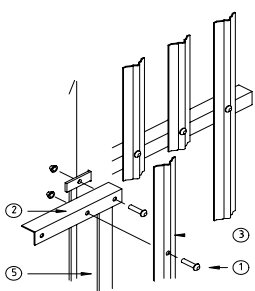
**PANEL WIDTH:** 2750mm

**PALE HEADS:** Triple pointed & Rounded and notched

**PALE PROFILES:** D' section 2.5/3.0/3.5mm

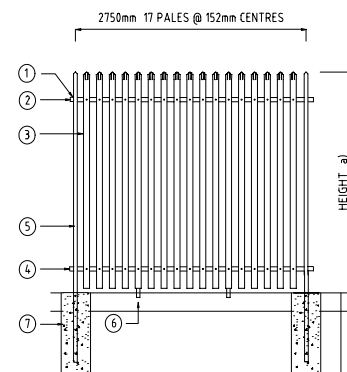
**FINISH:** Galvanised or Galvanised and PPC.

Rogers Fencing Supplies Ltd Palisade Fence is a stylish fencing system designed to provide a high level of perimeter security. Widely known as the industries leader in keeping intruders at bay, this fencing system is manufactured from hot formed and cold rolled substantial steel sections offering both strength and rigidity combined with a long life span.



DETAIL OF PANEL TO POST FIXINGS

1. Anti-Vandal M8x40 Saddle Head Bolts and Permacone Nuts
2. Top Rail - Connected to post with Fishplate using M12x30 Cup Head Sq Bolts and Permacone Nuts.
3. Corrugated Pales - Cold Formed and Punched to receive Saddlehead Fixings.
4. Bottom rail - Connections at post similar to Top Rail.
5. Standard Fence Posts, RSJ Joist slotted top and bottom to receive Fishplate connectors.
6. Anti-sag Support Leg
7. Concrete Foundation



TYPICAL ELEVATION OF FENCE